

JOB or CUSTOMER:			
ENGINEER:			
CONTRACTOR:			
SUBMITTED BY:	APPROVED BY:	ORDER NO:	
Date:	Date:	Date:	

55-SERIES PUMP SPECIFICATIONS

TECHNICAL & ELECTRICAL DATA

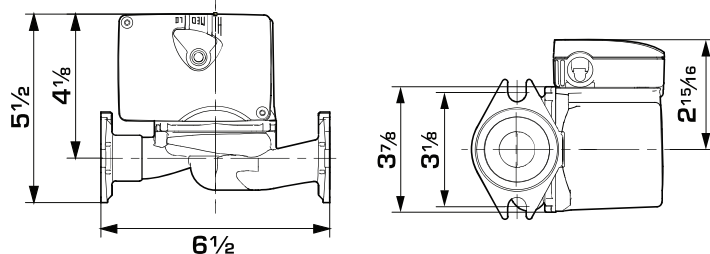
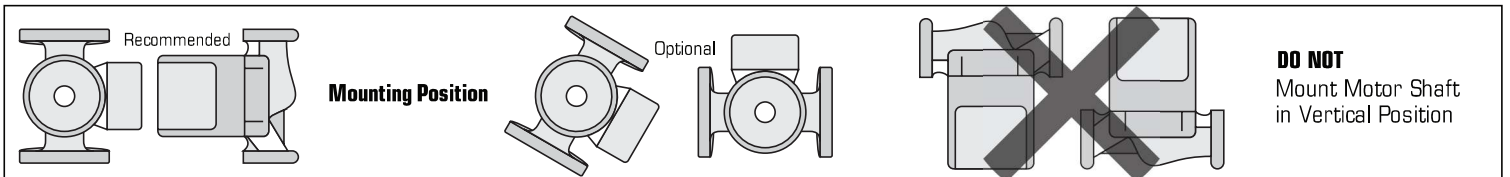
Flow range:	0-25 gpm
Head range:	0-18 feet
Motors:	2-pole, single-phase
Max. liquid temperature:	230°F (110°C)
Min. liquid temperature:	36°F (2°C)
Max. system pressure:	145 psi (10 bar)

Model	Spd	Volts	Amps	Watts	Hp	Capacitor
55-Series	3	115	0.75	87	0.12	10 μ F/180 V
	2		0.69	77	0.10	10 μ F/180 V
	1		0.53	58	0.08	10 μ F/180 V

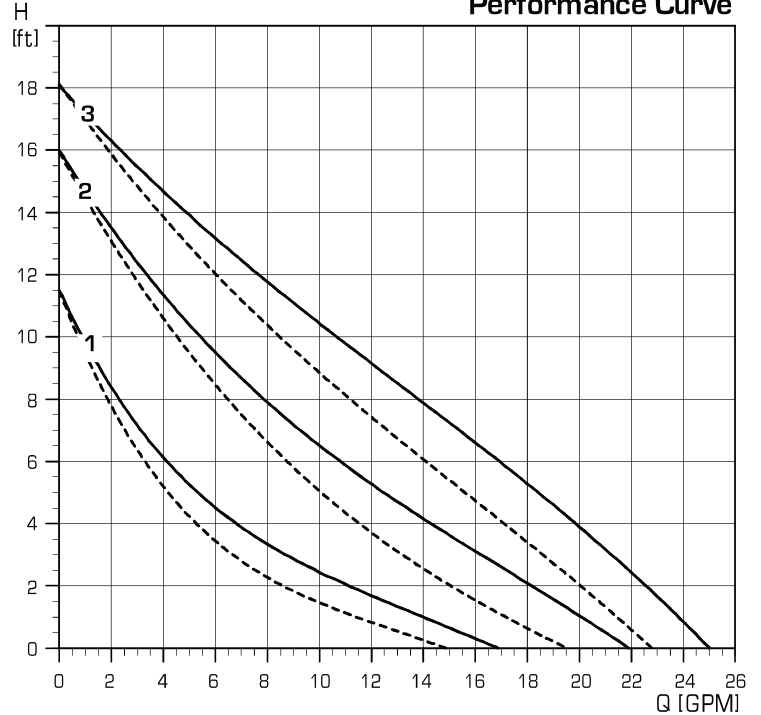
Part No.	Name	Description
DC055A	AutoHot®	55-series pump, commercial EMS, [3] temp sensors
DR055A		55-series pump, residential controller, push button activator
DR055A-USK		55-series pump, residential controller, push button, Under Sink Kit
DR055A Gen 2		55-series pump, residential controller, integrated receiver, wireless and wired push button activators
DR055A-USK Gen 2		55-series pump, residential controller, integrated receiver, wireless and wired push button activators, Under Sink Kit.

SIZE & WEIGHT

Model	Type and Size	Wt. (lbs)
UPS 15-55 SFC	GF 15/26	6

Performance Curve



MATERIALS OF CONSTRUCTION

DESCRIPTION	MATERIAL
Inlet Cone, Bearing Plate, Bearing Retainers, Rotor Can, Rotor Cladding Shaft Retainer	304 Stainless Steel
Stator Housing	Aluminum
Shaft, Upper & Lower Radial Bearings	Aluminum Oxide Ceramic
Thrust Bearing	Carbon bearing and EPDM retainer
Check Valve	ACETAL with 302 Stainless Steel Spring & Nitrile Rubber Seats
Pump Housing (Volute)	Silicon bronze C875 or Stainless steel 300 series
O'Ring & Gaskets	EP (Ethylene Propylene Rubber)
Impeller	PES Composite (30% Glass Filled)
Terminal Box	Noryl®